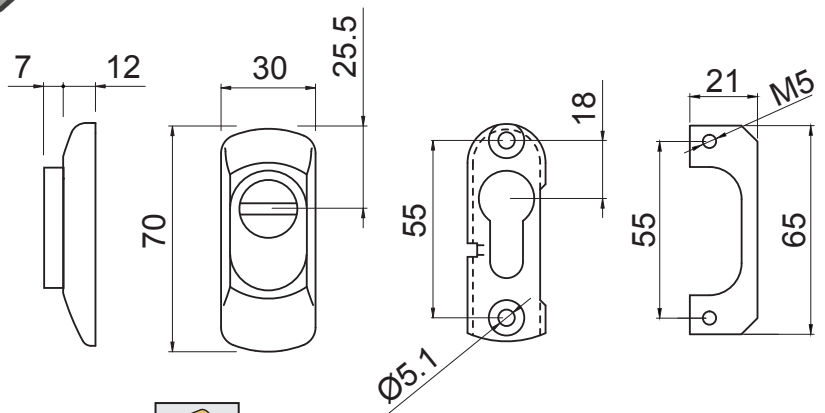
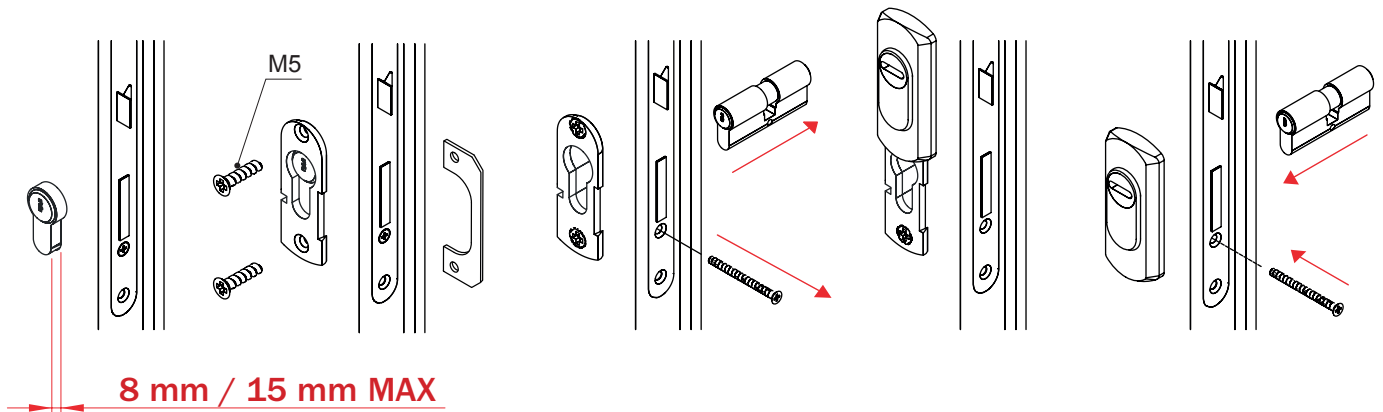


SG15..



Min. 8 mm - Max. 15 mm



Colori e finiture disponibili / Colors and finishes available

- | | | | |
|----|--------------------------------|---|------------------------|
| IT | Inox satinato / Satin Inox | 2 | PVD Ottone / PVD Brass |
| IC | Inox lucido / Bright Inox | B | Bronzo / Bronze |
| W | Bianco RAL9010 / White RAL9010 | N | Nero / Black |

Imballo / Packaging



Rotori disponibili / Protrusions covered

