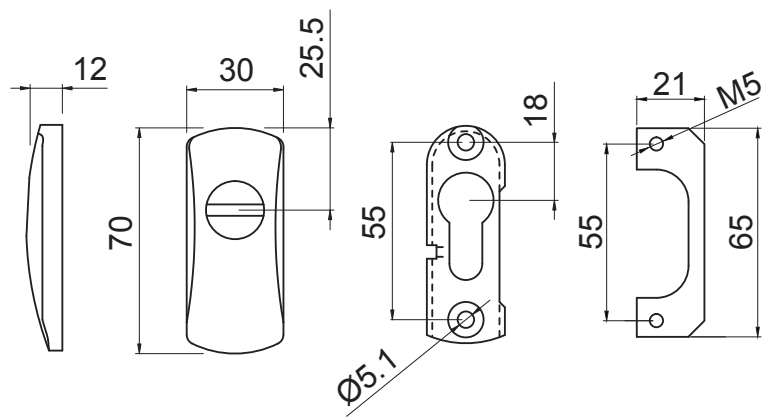
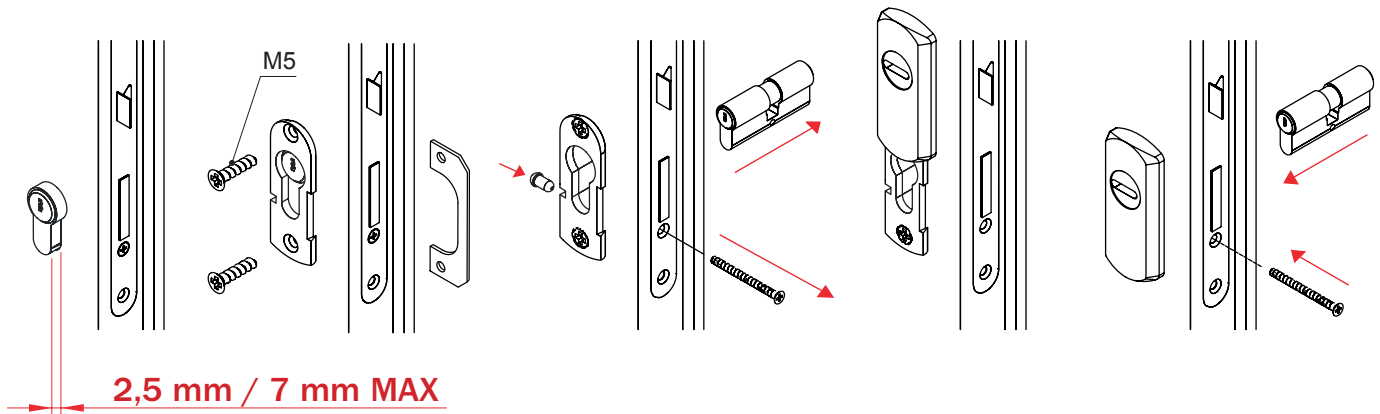


SG08..



Min. 2,5 mm - Max. 7 mm



Colori e finiture disponibili / Colors and finishes available

- | | |
|-----------------------------------------|---------------------------------|
| IC Inox lucido / Bright Inox | 2 PVD Ottone / PVD Brass |
| IT Inox satinato / Satin Inox | B Bronzo / Bronze |
| W Bianco RAL9010 / White RAL9010 | N Nero / Black |

Imballo / Packaging



Spessori / Spacers

- | | | | |
|------------------------|----------------------|------------------------|----------------------|
| A0045
2,5 mm | A0036
1 mm | A0285
2,5 mm | A0284
1 mm |
|------------------------|----------------------|------------------------|----------------------|

Rotori disponibili / Protrusions covered

- | | | |
|------------------|-----------------------|-------------|
| S1
3.5 | D1
5 | pag. |
| Standard | X Dom
su richiesta | |