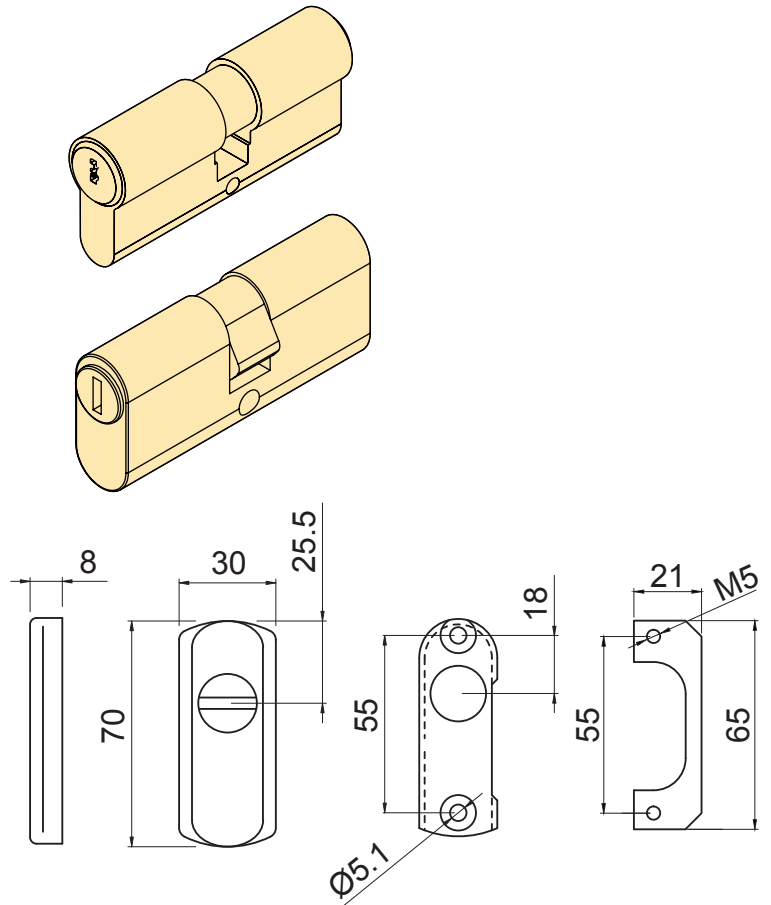
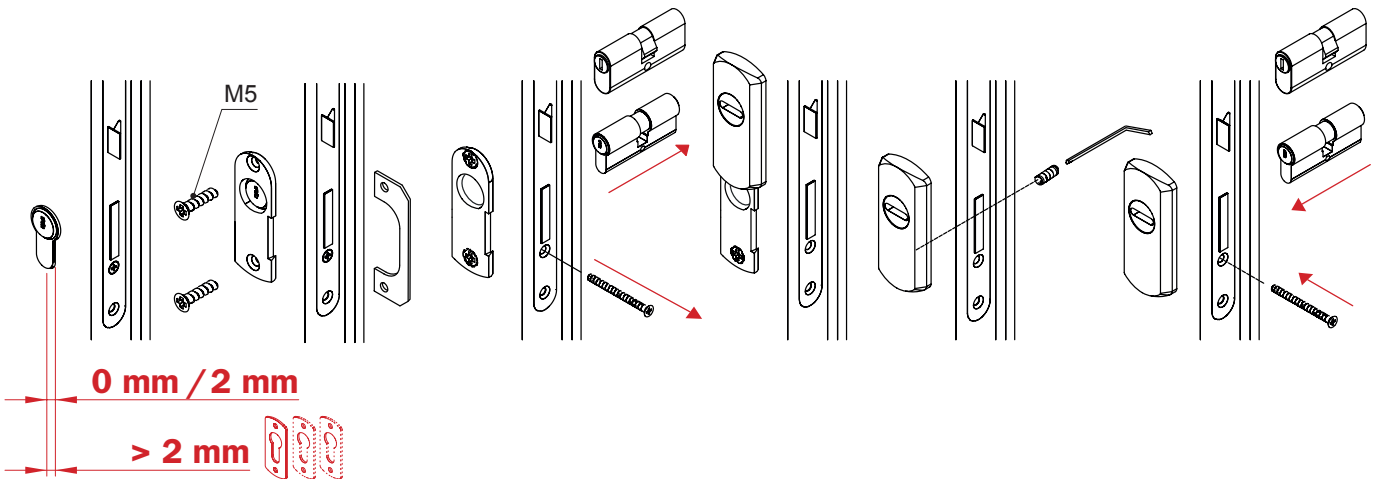




**SG02..**



Min. 0 mm - Max. 2 mm



**Colori e finiture disponibili / Colors and finishes available**

- |   |   |
|---|---|
| <b>C</b> Cromo lucido / Bright Chrome   | <b>2</b> PVD Ottone / PVD Brass               |
| <b>T</b> Cromo satinato / Satin Chrome  | <b>B</b> Bronzo / Bronze                      |
| <b>W</b> Bianco RAL9010 / White RAL9010 | <b>N</b> Nero / Black                         |
| <b>L</b> Ottone lucido / Bright brass   | <b>6</b> Argento anodizzato / Anodized silver |

**Imballo / Packaging**



x 6

**Spessori / Spacers**

- |                 |               |                 |               |
|-----------------|---------------|-----------------|---------------|
| A0045<br>2,5 mm | A0036<br>1 mm | A0285<br>2,5 mm | A0284<br>1 mm |
|-----------------|---------------|-----------------|---------------|

**Rotori disponibili / Protrusions covered**

- |           |                       |      |
|-----------|-----------------------|------|
| S1<br>3,5 | D1<br>5               | pag. |
| Standard  | X Dom<br>su richiesta |      |